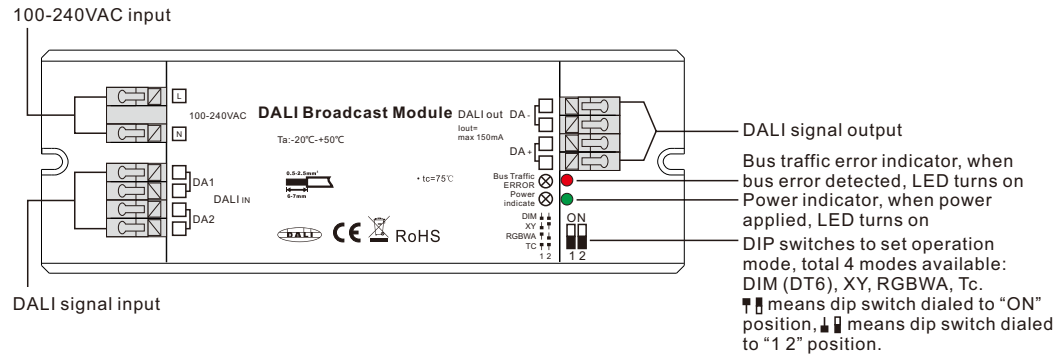


# 4 In 1 DT6 & DT8 DALI Broadcast Module



**Important:** Read All Instructions Prior to Installation

## Function introduction



## Specifications

Power supply	100V-240V AC, 50/60Hz
Max. input supply current	20mA @ 230VAC full load
Max. current consumption DALI IN	< 2mA
Number of DALI address	1
Max. DALI supply current DALI OUT	150mA
Number of DALI channel DALI OUT	1
Input/output	DALI/DALI
DALI device type	DT6/XY/RGBWA/Tc set by DIP switches
Wire cross section	0.5 ... 2.5 mm <sup>2</sup>
Connection terminal type	Spring terminal connector
Release of wire	Push button
Mounting	Remote ceiling
Dimension	170x59x29mm
Operating environment temperature	-20°C to +50°C
Max. casing temperature	75°C
Humidity	10%-95% RH, non-condensing
Storage temperature	-40°C to +85°C
Protection class	II
Waterproof grade	IP20

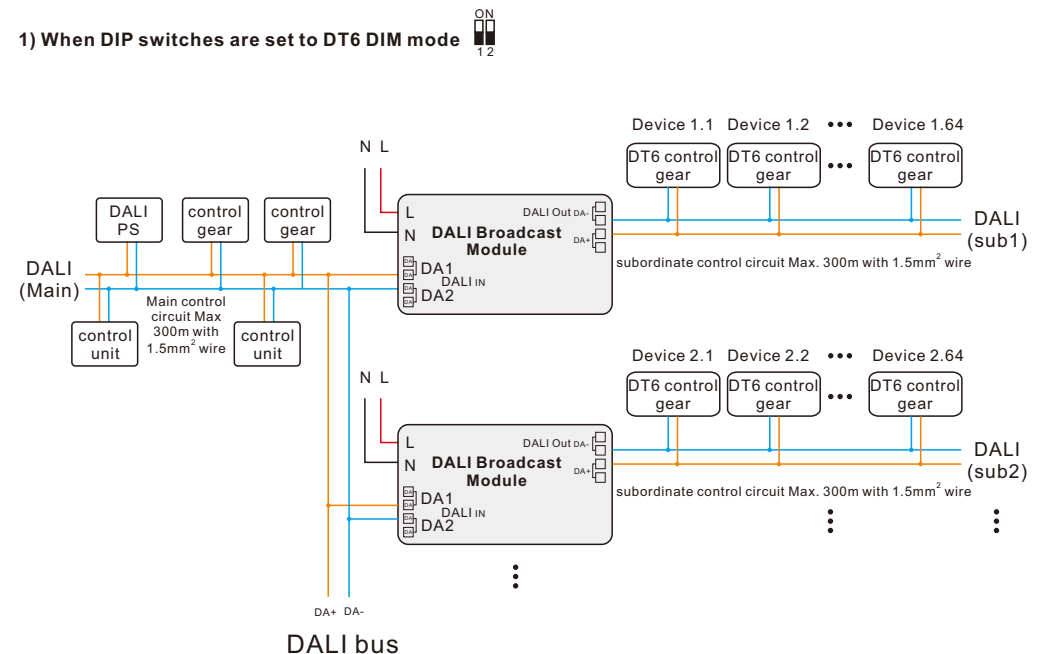
## Safety & Warnings


- DO NOT install with power applied to device.
- DO NOT expose the device to moisture.

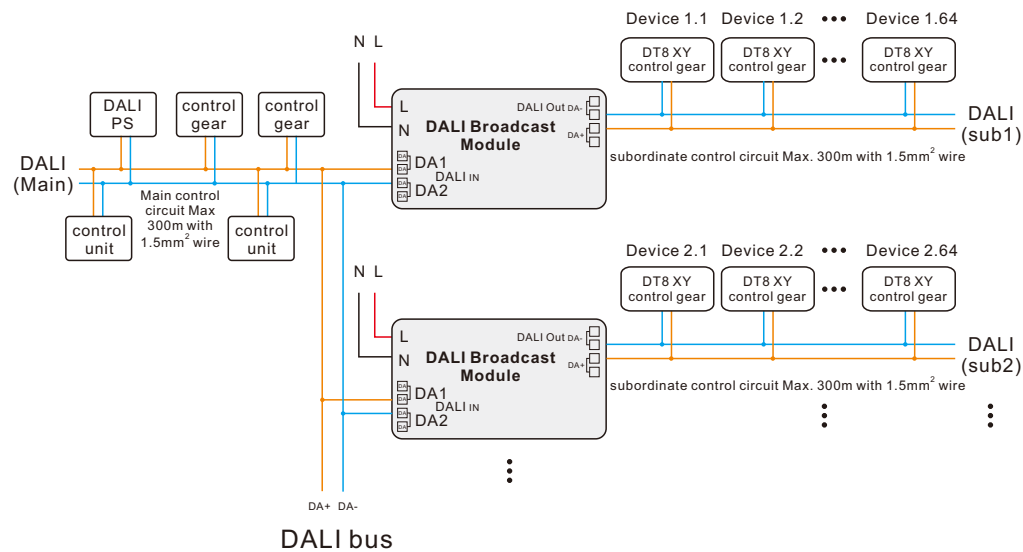
## Features


- 4 in 1 DT6 & DT8 DALI broadcast module, simple and easy to expand DALI circuit
- Receives DT6/DT8 commands from DALI main circuit as a control gear with a single address
- Forwards received DALI commands to all control gears connected to its DALI OUT
- All control gears connected to DALI OUT will be controlled by the forwarded broadcast DALI commands
- All control gears connected to DALI OUT will be controlled via the DALI address of the module
- Output with DALI power supply (150mA) to power max. 64 control gears
- No DALI addressing required for the control gears connected to DALI OUT
- Reduces time and cost of commissioning and simplifies maintenance
- Multiple modules can be connected to DALI main circuit to establish multiple DALI sub-circuits
- The number of DALI control gears in the DALI main circuit can be extended drastically
- Error detection and monitoring function
- Mains power supply, DALI input (DALI IN), DALI output (DALI OUT) are fully isolated from each other

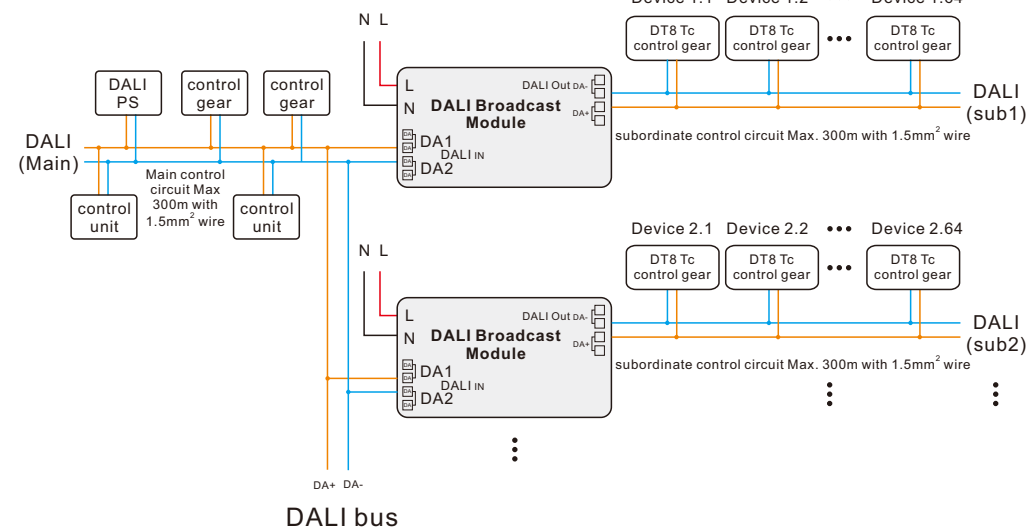
## Wiring diagram




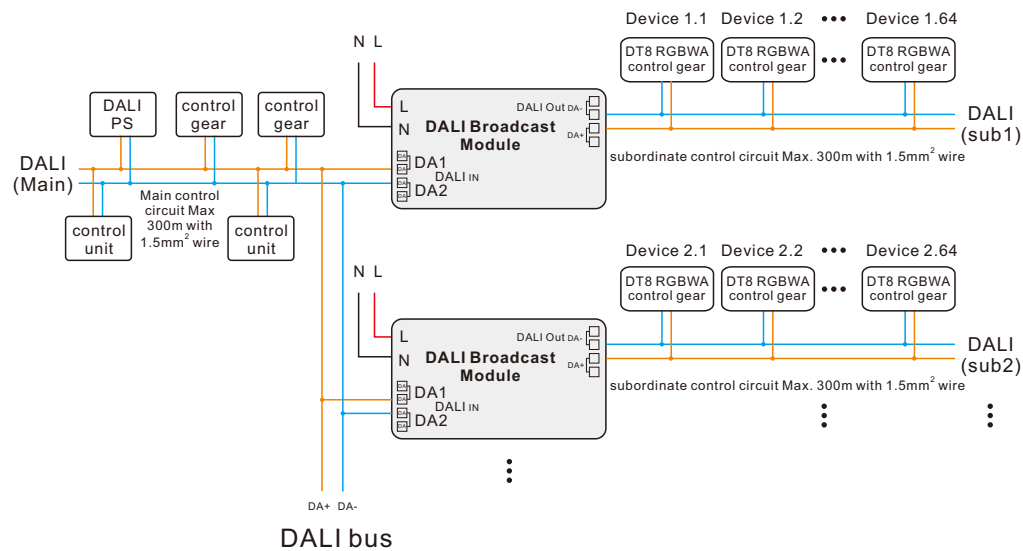
2) When DIP switches are set to DT8 XY mode 



4) When DIP switches are set to DT8 Tc mode 



3) When DIP switches are set to DT8 RGBWA mode 



**DALI Address**

1 DALI address for the DALI broadcast module can be assigned by DALI Master controller automatically, please refer to user manuals of compatible DALI Masters for specific operations.

**Product Dimension**

